



CP 2784

IN THE UNITED STATES PATENT AND TRADEMARK OFFICE

Applicant: Dovek et al.
 Assignee: Maxtor Corporation
 Title: FLUX-GUIDED MAGNETORESISTIVE HEAD USING A PERPENDICULAR RECORDING MEDIA
 Serial No.: 09/069,795 Filed: April 28, 1998
 Examiner: Korzuch, W. Group Art Unit: 2754
 Atty. Docket No.: 3123-276

#19
12-21-a
JM

TC 2700 MAIL ROOM

JUL - 7 2000

RECEIVED


ASSISTANT COMMISSIONER FOR PATENTS
Washington, D.C. 20231

TRANSMITTAL OF FORMAL DRAWINGS

Attached please find the formal drawings (8 sheets) for this application.

I hereby certify that this correspondence is being deposited with the United States Postal Service as First Class Mail in an envelope addressed to: Assistant Commissioner for Patents, Washington, D.C. 20231, on June 29, 2000.

David M. Sigmond 6/29/00
 David M. Sigmond Date of Signature
 Attorney for Applicant

Respectfully submitted,

 David M. Sigmond
 Attorney for Applicant
 Reg. No. 34,013
 (303) 702-4132
 (303) 678-3111 (fax)

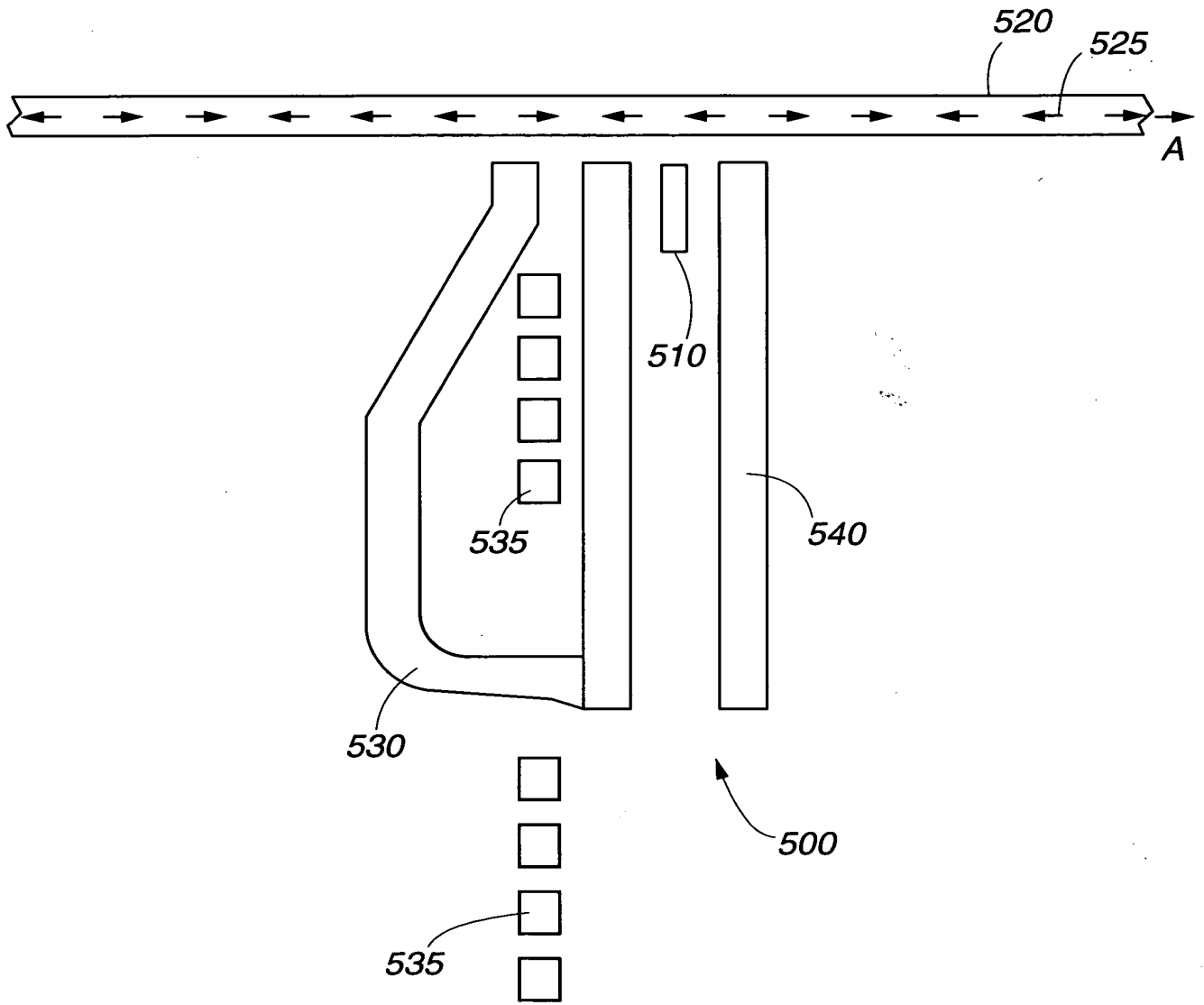


Fig. 1
PRIOR ART

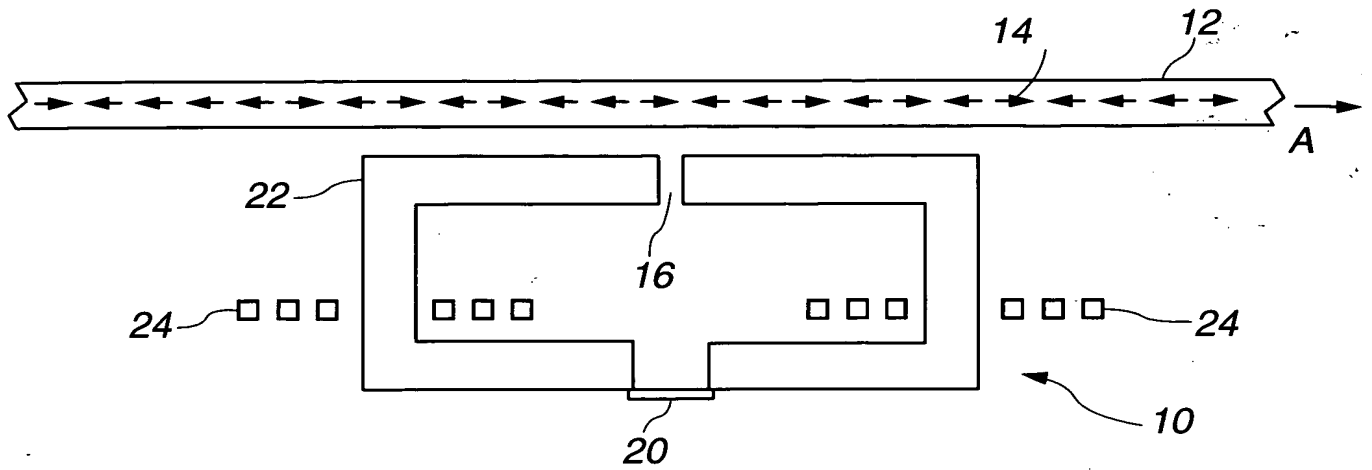


FIG. 2
PRIOR ART

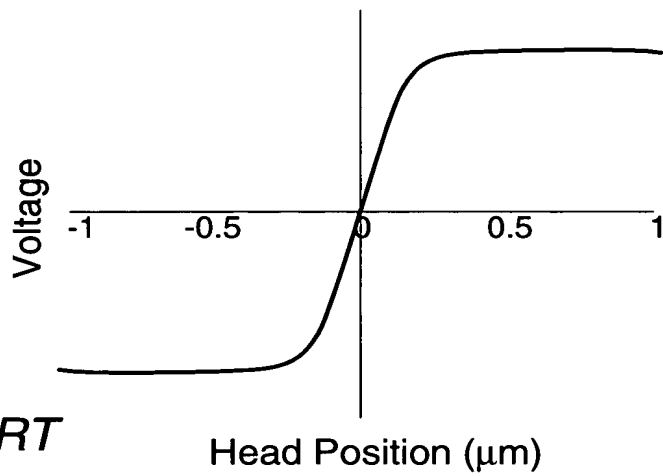


Fig. 4
PRIOR ART

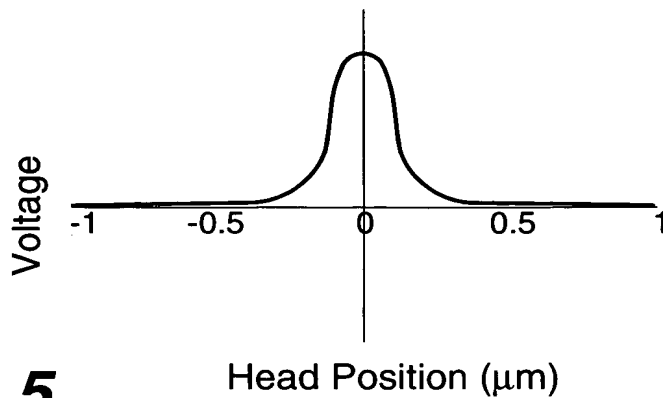


Fig. 5

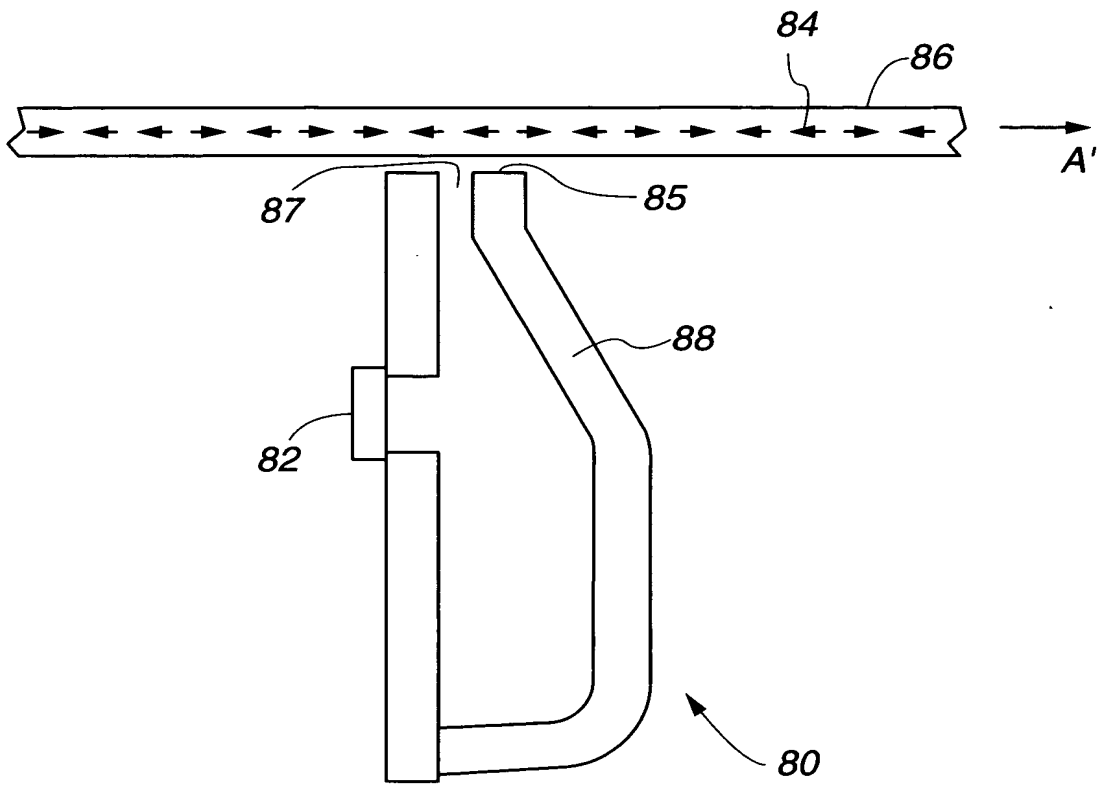


Fig. 3
PRIOR ART

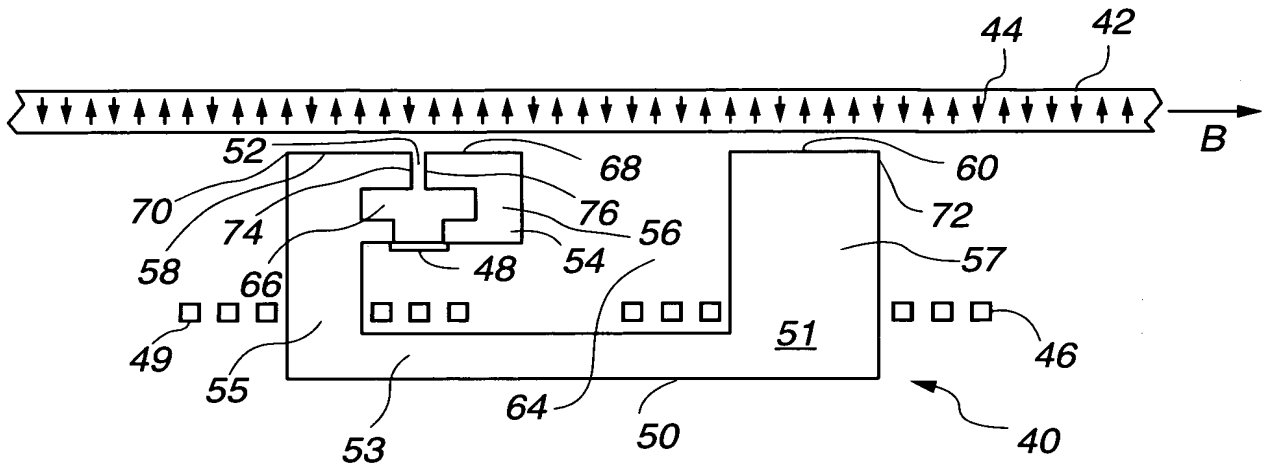


Fig. 6

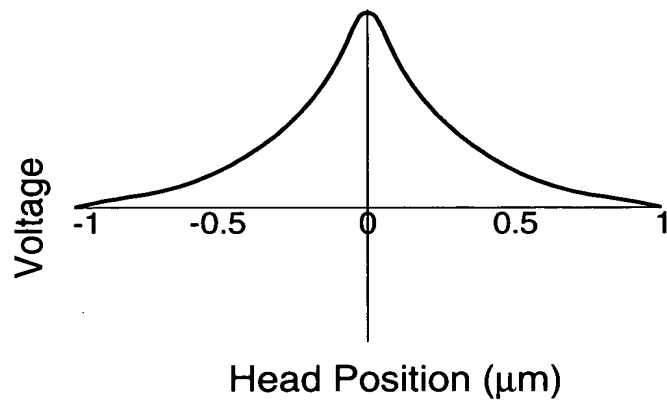


Fig. 7

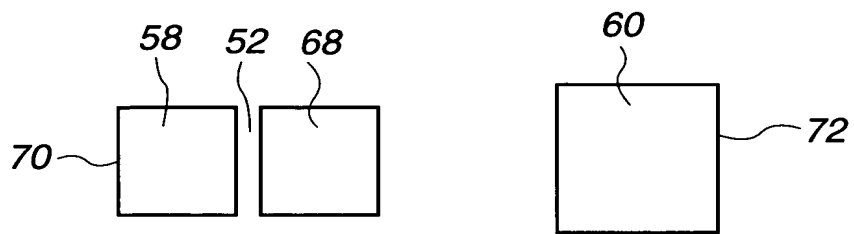


Fig. 6A

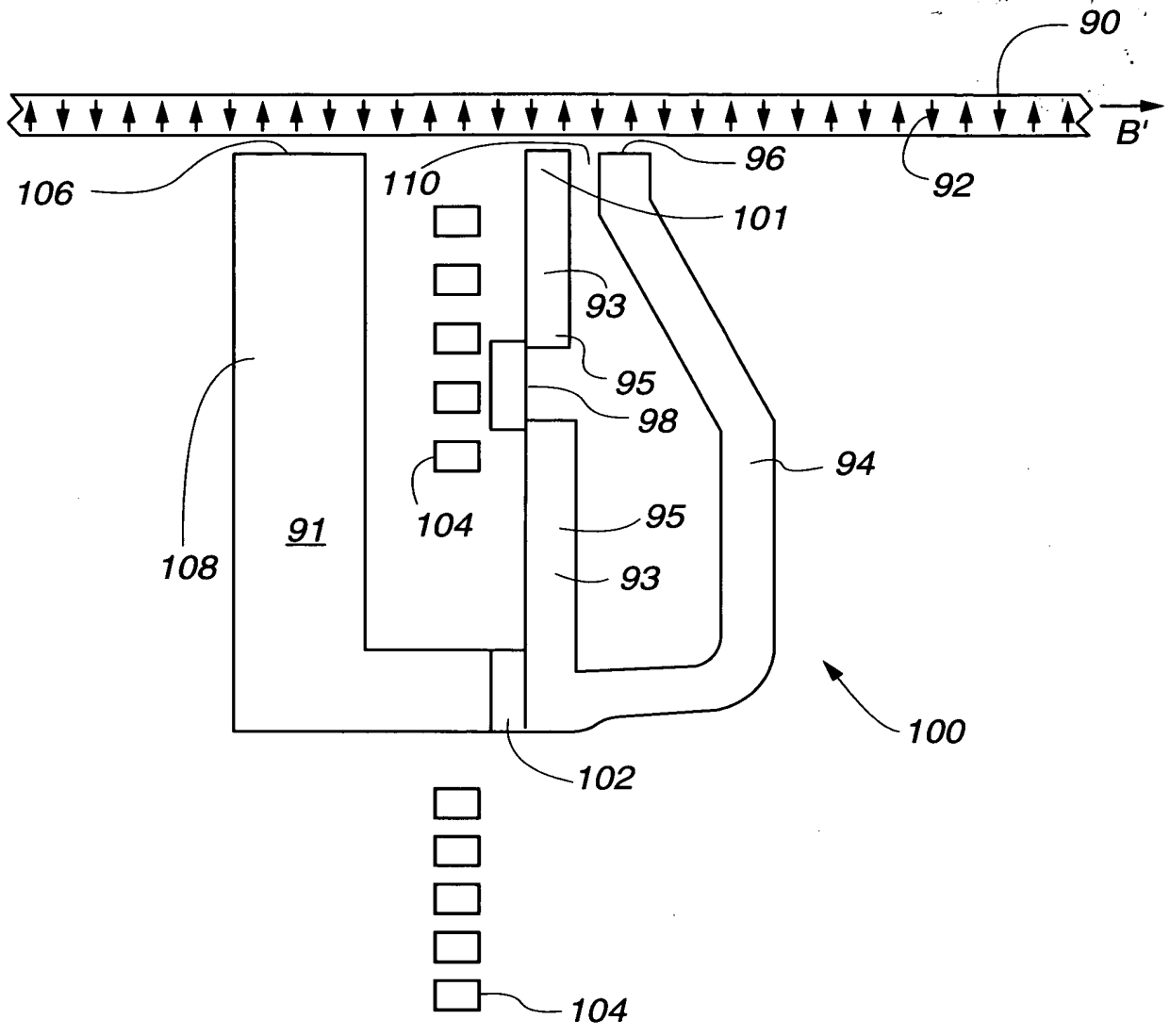


Fig. 8

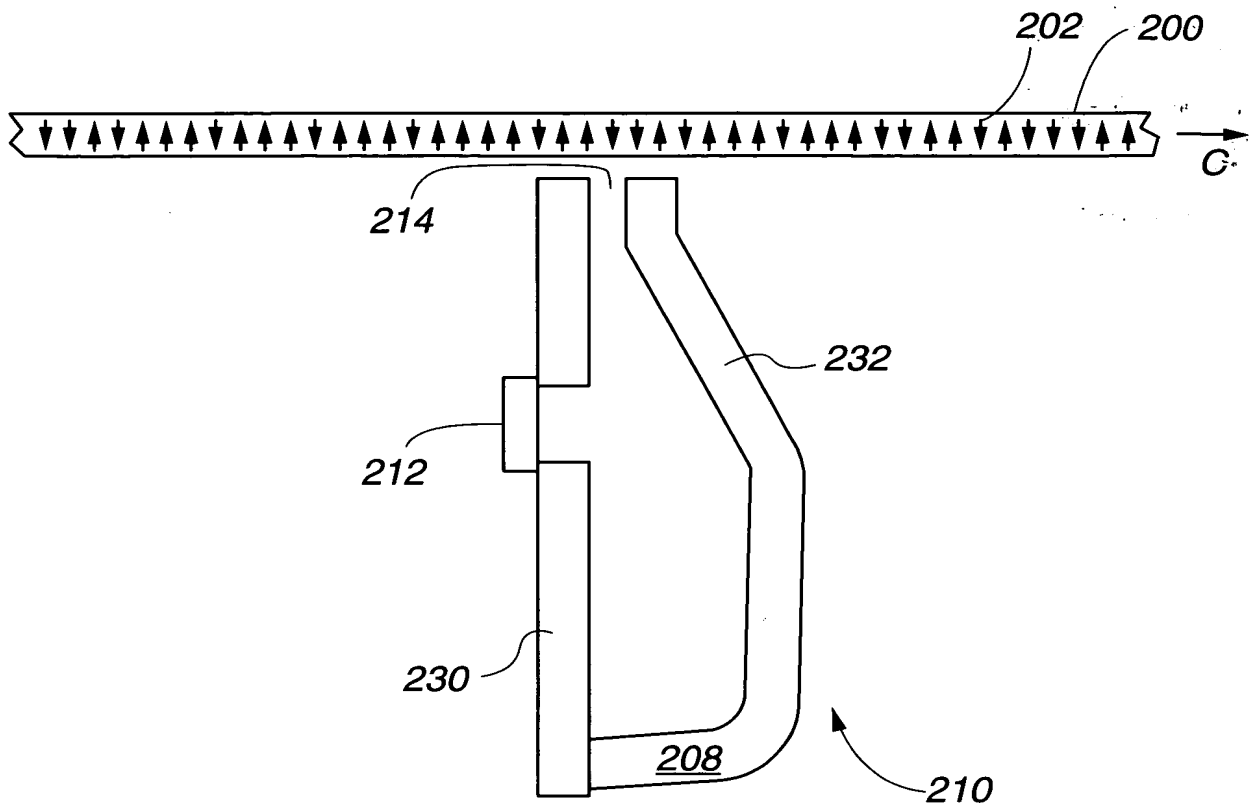


Fig. 9

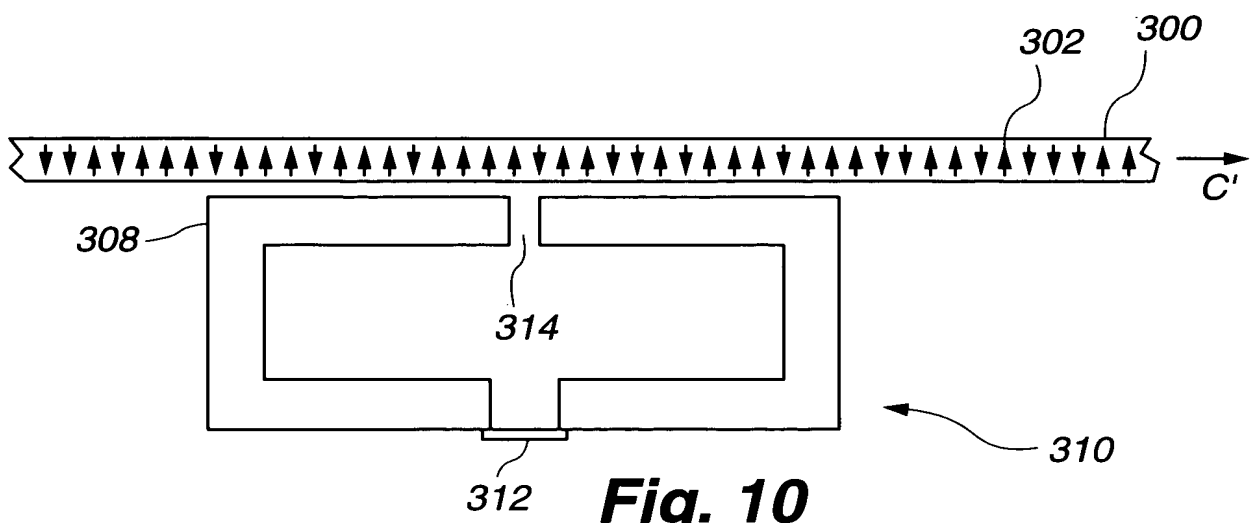


Fig. 10

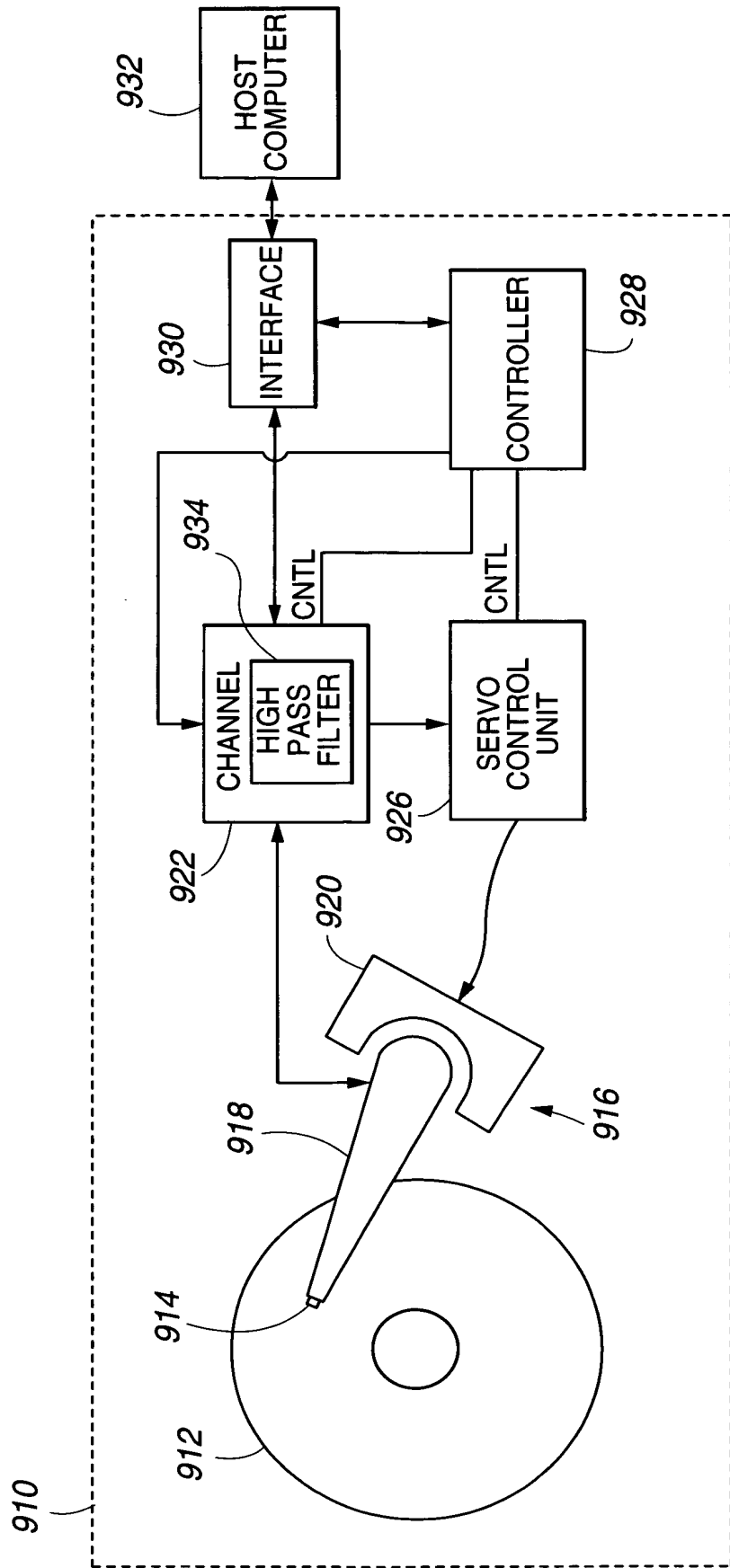


Fig. 11